

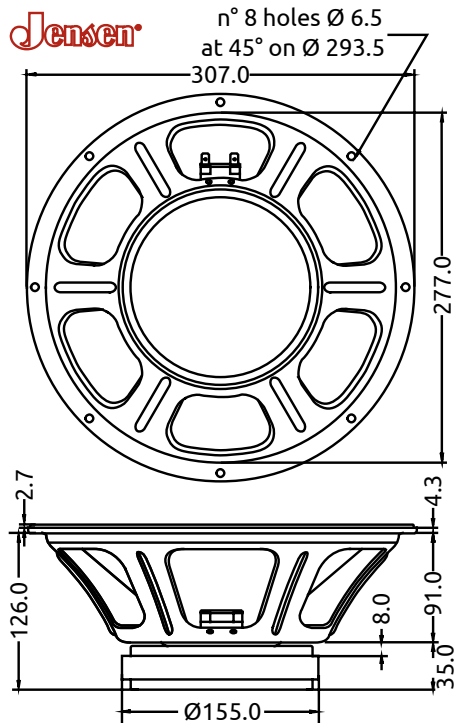
12" - 100 W Jet Series Loudspeaker
12" Raptor 100 - 8Ω / 16Ω

General Characteristics			
Nominal Overall Diameter		12 mm	0.47 in
Nominal Voice Coil Diameter		2 mm	0.08 in
Magnet Weight		1450 g	51 oz
Overall Weight		4.5 kg	9.92 lbs
Flux Density			1.15 T

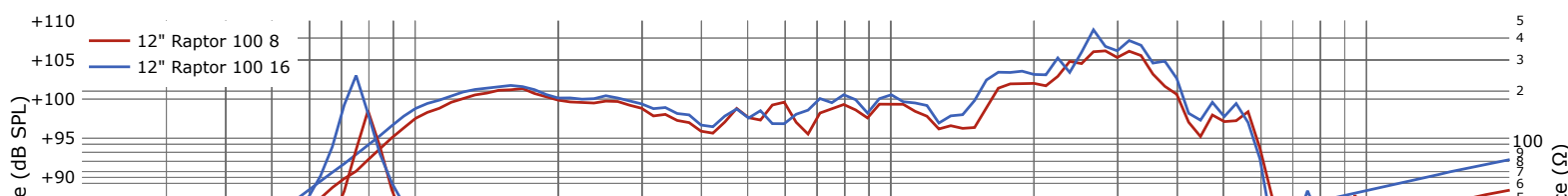
Thiele-Small Parameters		8Ω	16Ω	
Voice Coil DC Resistance	R_E	6.72	12.15	Ω
Resonance Frequency	f_S	77	76.5	Hz
Mechanical Q Factor	Q_{MS}	12.41	13.57	
Total Q Factor	Q_{TS}	0.45	0.59	
Mechanical Moving Mass	M_{MS}	31.1	30.4	g
Mechanical Compliance	C_{MS}	137	142	μm/N
Force Factor	BxL	14.72	16.91	Wb/m
Equivalent Acoustic Volume	V_{AS}	47	48.4	lt.
Diaphragm Area	S_D	490.9	490.9	cm ²
Voice Coil Inductance @ 1kHz	L_E	0.8	1.15	mH

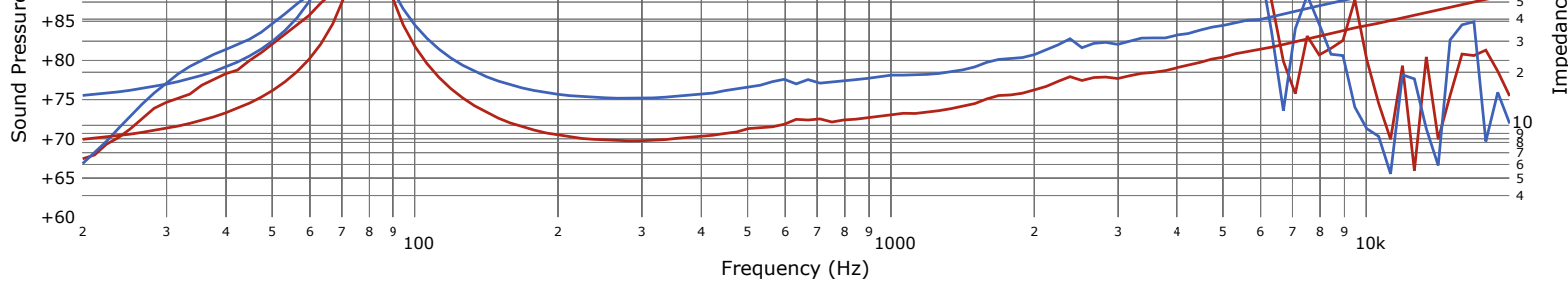
Constructive Characteristics		
Magnet		Ferrite
Voice Coil Winding		Copper
Voice Coil Former		Nomex
Cone Material		Paper
Surround Material		Integrated Paper
Dust Dome Material		Non-treated Cloth
Basket Material		Pressed Sheet Steel

Electrical Characteristics		8Ω	16Ω	
Nominal Impedance		8	16	Ω
Rated Power		100	100	W
Musical Power		200	200	W
Sensitivity@1W,1m		99.4	98.6	dB



Frequency Response on IEC Baffle (DIN45575) @ 1W, 1m - Free Air Impedance





Due to continuing product improvement, the features and the design are subject to change without notice.

Jensen Loudspeakers · website: www.jensentone.com · email: info@jensentone.com

05/06/2018 - 10:32