

# Jensen®

loudspeakers

# Vintage AlNiCo

P 12 N 8Ω  
Code ZJ06040  
12" 50W

LOWS:  
Loose

MIDS:  
Aggressive

HIGHS:  
Bright

OVERDRIVE:  
Edgy

## Sound Features:

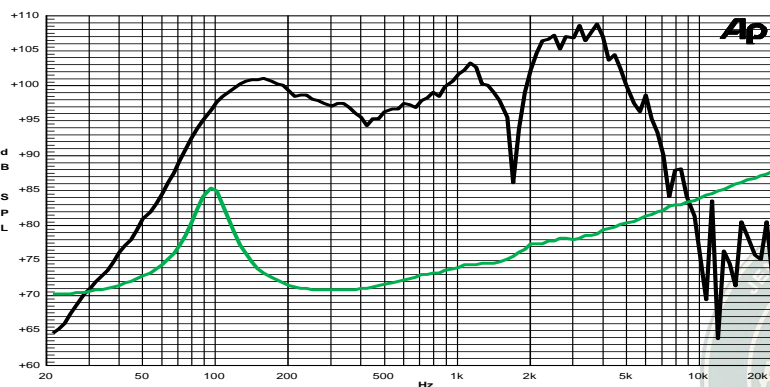
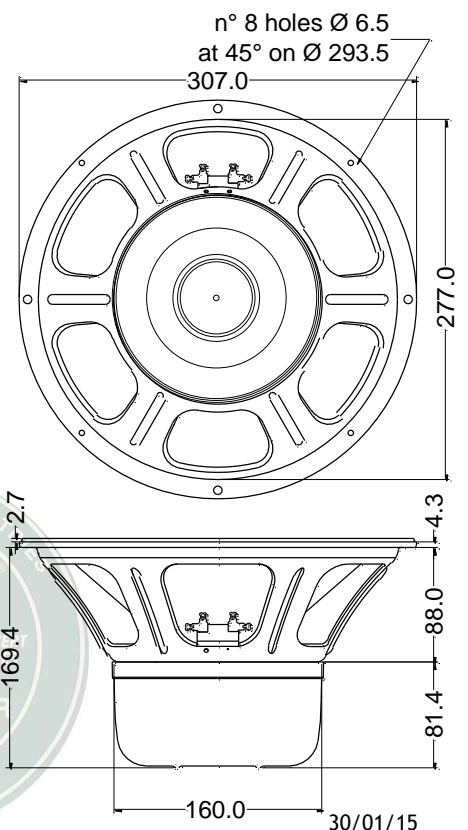
### Guitarist Description:

Very warm and full bodied tone with powerful mid-bite and sparkling highs. When presented with overdrive distortion, it displays a bright and colorful crunch.

Specifications	
Nominal Diameter	307 mm (12")
Nominal Impedance	8 Ω
Rated Power AES <sup>(1)</sup>	50 W
Continuous Program Power <sup>(2)</sup>	100 W
Sensitivity @ 1W/1m	97.5 dB
Voice Coil Diameter	38 mm
Voice Coil Winding Depth	10 mm
Magnetic Gap Depth	8 mm
Flux Density	1.26 T
Magnet Weight	826 g
Net Weight	3.1 kg

Thiele & Small Parameters <sup>(3)</sup>			
Re	6.03 Ω	Fs	90.0 Hz
Qms	4.36	Mms	30.9 g
Qts	0.77	Bxl	10.62 Tm
Cms	101 μm/N	Sd	490.9 cm <sup>2</sup>
Vas	34.6 l	Le (1kHz)	0.87 mH

Constructive Characteristics	
Magnet	AlNiCo
Basket Material	Pressed Sheet Steel
Voice Coil Winding Material	Copper
Voice Coil Former Material	Kapton
Cone Material	Paper
Surround Treatment	No
Surround Material	Paper - Integrated
Dust Dome Material	Solid Paper



#### Note:

- 1: Rated Power measured with 2 hours test with pink noise signal, 6dB crest factor, loudspeaker mounted on enclosure
- 2: Power on Continuous Program is defined as 3 dB greater than the Rated Power
- 3: Thiele & Small parameters measured with laser system without preconditioning test
- 4: Drawing dimensions: mm
- 5: The notch around 400Hz on the frequency response is typical of the measurement on IEC baffle