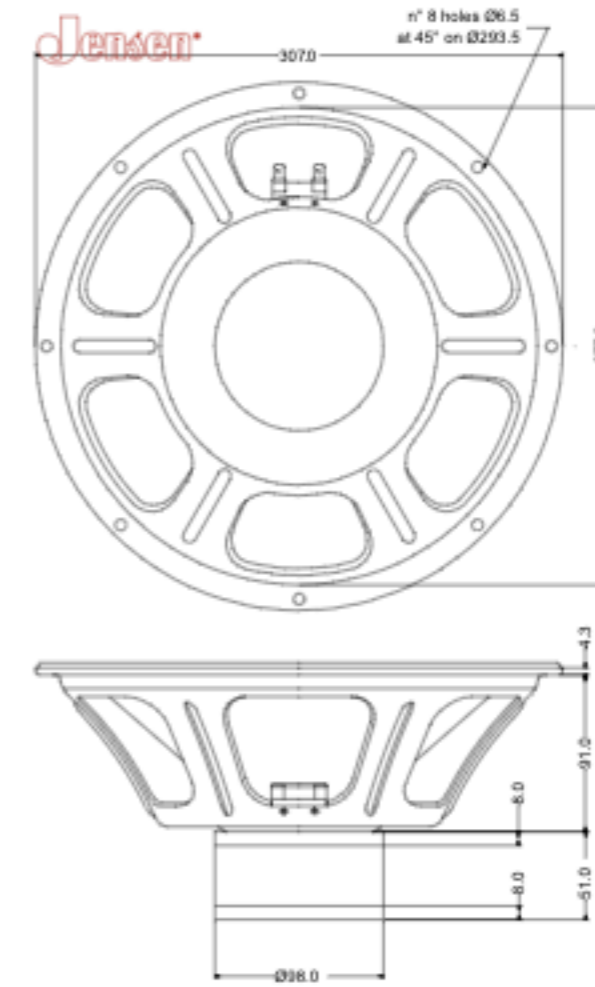


General Characteristics		
Nominal Overall Diameter	307 mm	12 in
Nominal Voice Coil Diameter	38 mm	1.5 in
Magnet Weight	826 g	29 oz
Overall Weight	3.1 kg	6.83 lbs
Flux Density		1.26 T
Voice Coil Winding Depth	10 mm	0.39 in
Magnetic Gap Depth	8 mm	0.31 in

Thiele-Small Parameters	8Ω	16Ω	
Voice Coil DC Resistance	R_E	6.03	12 Ω
Resonance Frequency	f_S	90	91 Hz
Mechanical Q Factor	Q_{MS}	4.36	5.77
Total Q Factor	Q_{TS}	0.77	0.84
Mechanical Moving Mass	M_{MS}	30.9	27 g
Mechanical Compliance	C_{MS}	101	125 $\mu\text{m}/\text{N}$
Force Factor	$B \times L$	10.62	13.71 Wb/m
Equivalent Acoustic Volume	V_{AS}	34.6	42.2 lt.
Maximum Linear Displacement	X_{MAX}	± 1	± 1 mm
Reference Efficiency	η_D	3.4	2.84 %
Diaphragm Area	S_D	490.9	490.8 cm^2
Losses Electrical Resistance	R_{ES}	43	70 Ω
Voice Coil Inductance @ 1kHz	L_E	0.87	1.05 mH
Electrical Q Factor	Q_{ES}	0.94	0.98

Constructive Characteristics	
Magnet	Alnico
Voice Coil Winding	Copper
Voice Coil Former	Kapton
Cone Material	Paper
Surround Material	Integrated Paper
Dust Dome Material	Solid Paper
Basket Material	Pressed Sheet Steel
Surround Treatment	No

Electrical Characteristics	8Ω	16Ω	
Nominal Impedance		8	16 Ω
Rated Power		50	50 W
Musical Power		100	100 W
Sensitivity@1W,1m		97.5	97.8 dB



Note: all dimensions are in mm.

Frequency Response on IEC Baffle (DIN45575) @ 1W, 1 m - Free Air Impedance

