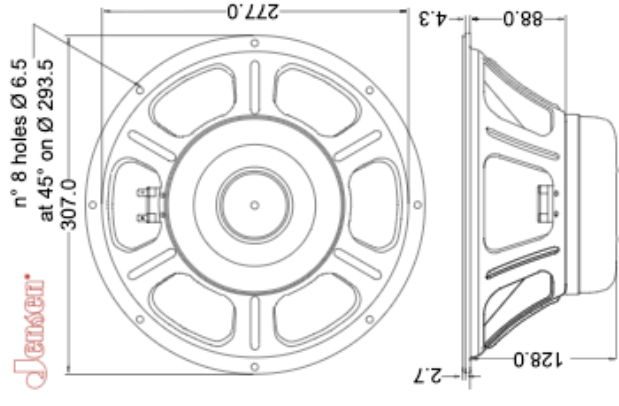


General Characteristics	
Nominal Overall Diameter	307 mm 12 in
Nominal Voice Coil Diameter	44 mm 1.73 in
Magnet Weight	200 g 7 oz
Overall Weight	2.2 kg 4.85 lbs
Flux Density	1.04 T
Voice Coil Winding Depth	11 mm 0.43 in
Magnetic Gap Depth	8 mm 0.31 in

Electrical Characteristics		
Nominal Impedance	8Ω	16Ω
Rated Power	8	16
Musical Power	65	130
Sensitivity@1W,1m	130	97
		95.5
		dB

Thiele-Small Parameters			
Voice Coil DC Resistance	6.16	12.2	Ω
Resonance Frequency	83.2	80.2	Hz
Mechanical Q Factor	11.18	11.62	
Total Q Factor	0.95	1.27	
Mechanical Moving Mass	28.7	28.4	g
Mechanical Compliance	128	139	µm/N
Force Factor	9.41	11.05	Wb/m
Equivalent Acoustic Volume	43.5	47.3	lt.
Diaphragm Area	490.9	490.9	cm <sup>2</sup>
Voice Coil Inductance @ 1kHz	0.58	1.06	mH
Electrical Q Factor	1.04	1.43	

Constructive Characteristics	
Magnet	Neodymium
Voice Coil Winding	Aluminum
Voice Coil Former	Fiberglass
Cone Material	Paper
Surround Material	Integrated Paper
Dust Dome Material	Non-treated Cloth
Basket Material	Pressed Sheet Steel
Surround Treatment	Yes



Frequency Response on IEC Baffle (DIN45575) @ 1W, 1 m - Free Air Impedance

