

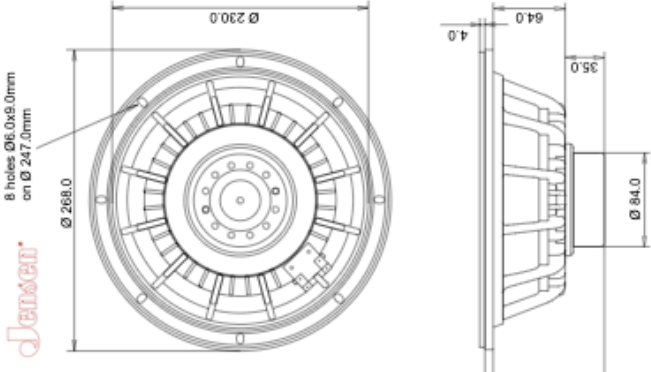
10" - 250 W Bass Speakers Loudspeaker Smooth BS 10N/250A - 8Ω

General Characteristics	
Nominal Overall Diameter	268 mm
Nominal Voice Coil Diameter	65 mm
Magnet Weight	220 g
Overall Weight	2.2 kg
Flux Density	1.14 T
Voice Coil Winding Depth	18 mm
Magnetic Gap Depth	10 mm

Thiele-Small Parameters	
Voice Coil DC Resistance	8Ω
Resonance Frequency	5.1 Hz
Mechanical Q Factor	58
Total Q Factor	6.45
Mechanical Moving Mass	0.43 g
Mechanical Compliance	41.9 μm/N
Force Factor	180 Wb/m
Equivalent Acoustic Volume	12.94 lt.
Maximum Linear Displacement	30.9 mm
Excursion Limit	X _{max} ±5 mm
Reference Efficiency	X _{max} ±7.4 mm
Diaphragm Area	1.22 %
Voice Coil Inductance @ 1kHz	346.3 cm ²
Electrical Q Factor	L _e 0.84 mH
	Q _{ES} 0.46

Constructive Characteristics	
Magnet	Neodymium
Voice Coil Winding	Copper
Voice Coil Former	Fiberglass
Cone Material	Paper
Surround Material	Treated Cloth
Dust Dome Material	Solid Paper
Basket Material	Aluminum Die-Cast
Surround Treatment	Yes

Electrical Characteristics	
Nominal Impedance	8Ω
Rated Power	250 W
Musical Power	500 W
Sensitivity@1W,1m	95 dB



Frequency Response on 35 Litres Vented Box @ 1W, 0.5m, normalized to SPL 1m Free Air Impedance

