

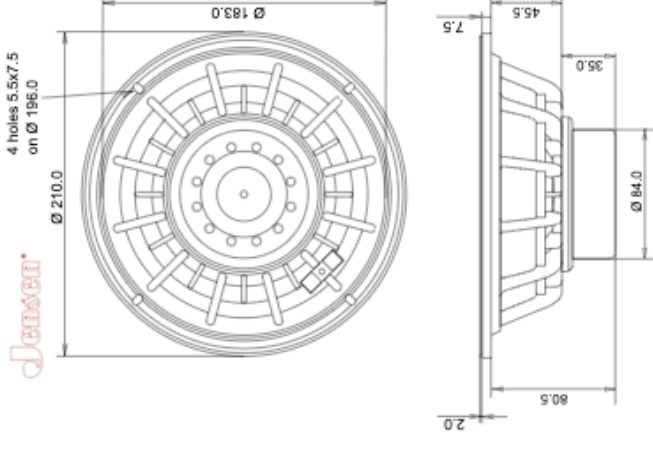
8" - 250 W Bass Speakers Loudspeaker Smooth BS 8N/250A - 8Ω

General Characteristics	
Nominal Overall Diameter	210 mm
Nominal Voice Coil Diameter	65 mm
Magnet Weight	220 g
Overall Weight	1.8 kg
Flux Density	1.04 T
Voice Coil Winding Depth	18 mm
Magnetic Gap Depth	10 mm

Thiele-Small Parameters	
Voice Coil DC Resistance	R_E 5.5 Ω
Resonance Frequency	f_s 59 Hz
Mechanical Q Factor	Q_{MS} 6.72
Total Q Factor	Q_{TS} 0.37
Mechanical Moving Mass	M_{MS} 32 g
Mechanical Compliance	C_{MS} 230 μm/N
Force Factor	$B\beta L$ 12.85 Wb/m
Equivalent Acoustic Volume	V_{AS} 14.9 lt.
Maximum Linear Displacement	X_{MAX} ±5 mm
Excursion Limit	X_{LIM} ±8 mm
Reference Efficiency	η_0 0.74 %
Diaphragm Area	S_D 213.8 cm ²
Voice Coil Inductance @ 1kHz	L_E 0.8 mH
Electrical Q Factor	Q_{ES} 0.39

Constructive Characteristics	
Magnet	Neodymium
Voice Coil Winding	Copper
Voice Coil Former	Fiberglass
Cone Material	Paper
Surround Material	Treated Cloth
Dust Dome Material	Solid Paper
Basket Material	Aluminum Die-Cast
Surround Treatment	Yes

Electrical Characteristics	
Nominal Impedance	8Ω
Rated Power	250 W
Musical Power	500 W
Sensitivity@1W,1m	92.6 dB



Frequency Response on 15 Litres Vented Box @ 1W, 0.5m, normalized to SPL 1m Free Air Impedance

