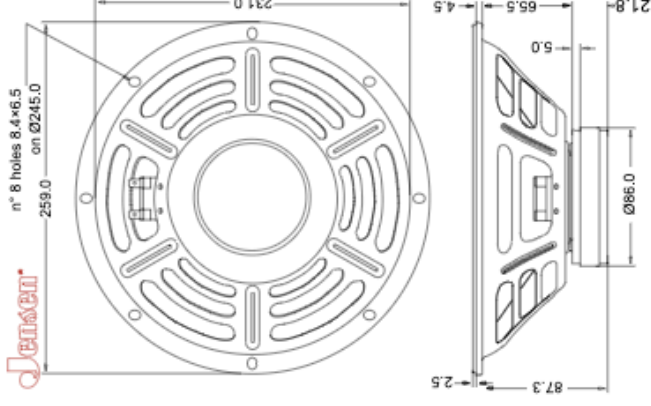


General Characteristics	
Nominal Overall Diameter	259 mm
Nominal Voice Coil Diameter	25 mm
Magnet Weight	270 g
Overall Weight	1.2 kg
Flux Density	1 T
Voice Coil Winding Depth	8 mm
Magnetic Gap Depth	6 mm

Thiele-Small Parameters	
Voice Coil DC Resistance	R_e 6.7 Ω
Resonance Frequency	f_s 96.6 Hz
Mechanical Q Factor	Q_{MS} 9
Total Q Factor	Q_{TS} 1.47
Mechanical Moving Mass	M_{MS} 17.6 g
Mechanical Compliance	C_{MS} 154 μm/N
Force Factor	B_{XL} 6.42 Wb/m
Equivalent Acoustic Volume	V_{AS} 23.8 lt.
Maximum Linear Displacement	X_{MAX} ±0.8 mm
Reference Efficiency	η_0 1.5 %
Diaphragm Area	S_D 330.1 cm ²
Losses Electrical Resistance	R_{ES} 42 Ω
Voice Coil Inductance @ 1kHz	L_e 0.53 mH
Electrical Q Factor	Q_{ES} 1.76

Constructive Characteristics	
Magnet	Ferrite
Voice Coil Winding	Copper
Voice Coil Former	Kapton
Cone Material	Paper
Surround Material	Integrated Paper
Dust Dome Material	Solid Paper
Basket Material	Pressed Sheet Steel
Surround Treatment	Yes

Electrical Characteristics	
Nominal Impedance	8Ω
Rated Power	25 W
Musical Power	50 W
Sensitivity@1W,1m	93.6 dB



Note: all dimensions are in mm.

Frequency Response on IEC Baffle (DIN45575) @ 1W, 1 m - Free Air Impedance

