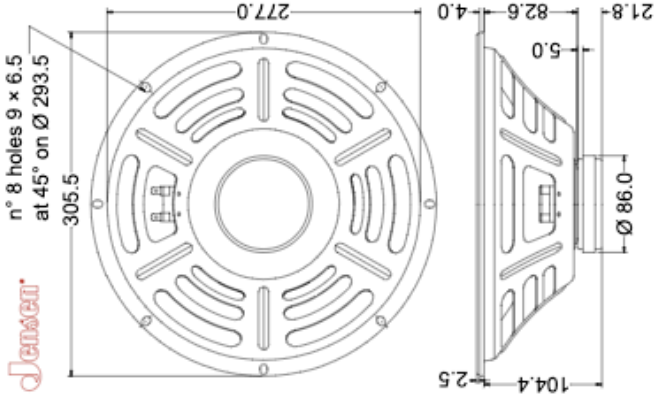


General Characteristics	
Nominal Overall Diameter	306 mm
Nominal Voice Coil Diameter	25 mm
Magnet Weight	270 g
Overall Weight	1.4 kg
Flux Density	1 T
Voice Coil Winding Depth	8 mm
Magnetic Gap Depth	6 mm

Thiele-Small Parameters	
Voice Coil DC Resistance	8Ω
Resonance Frequency	6.7 Hz
Mechanical Q Factor	88.3
Total Q Factor	18.52
Mechanical Moving Mass	2.47 g
Mechanical Compliance	29.5 μm/N
Force Factor	110 Wb/m
Equivalent Acoustic Volume	6.24 lt.
Maximum Linear Displacement	37.5 mm
Reference Efficiency	±0.8 %
Diaphragm Area	1.2 cm ²
Losses Electrical Resistance	490.9 Ω
Voice Coil Inductance @ 1kHz	67 mH
Electrical Q Factor	0.49
	2.85

Constructive Characteristics	
Magnet	Ferrite
Voice Coil Winding	Copper
Voice Coil Former	Kapton
Cone Material	Paper
Surround Material	Integrated Paper
Dust Dome Material	Felt
Basket Material	Pressed Sheet Steel
Surround Treatment	No

Electrical Characteristics	
Nominal Impedance	8Ω
Rated Power	25 W
Musical Power	50 W
Sensitivity@1W,1m	92.3 dB



Frequency Response on IEC Baffle (DIN45575) @ 1W, 1 m - Free Air Impedance

