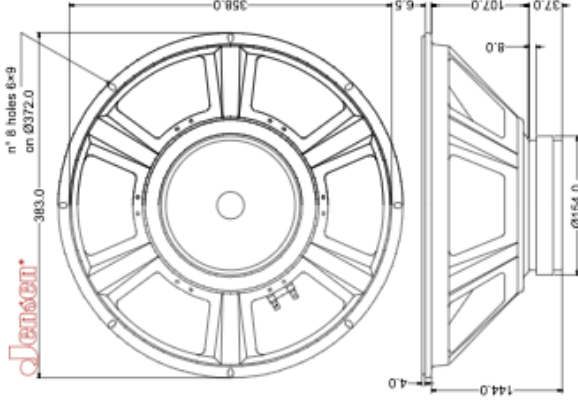


| General Characteristics | |
|-----------------------------|-----------|
| Nominal Overall Diameter | 15 in |
| Nominal Voice Coil Diameter | 2 in |
| Magnet Weight | 51 oz |
| Overall Weight | 11.68 lbs |
| Flux Density | 1.15 T |
| Voice Coil Winding Depth | 0.39 in |
| Magnetic Gap Depth | 0.31 in |

| Electrical Characteristics | |
|----------------------------|-------|
| Nominal Impedance | 8Ω |
| Rated Power | 100 W |
| Musical Power | 200 W |
| Sensitivity@1W,1m | 97.9 |
| | 16Ω |
| | 8 |
| | 100 |
| | 200 |
| | 97.4 |
| | Ω |
| | W |
| | W |
| | dB |

| Thiele-Small Parameters | 8Ω | | 16Ω | |
|------------------------------|--------------------------|------------|------------------------|---|
| | Voice Coil DC Resistance | R_E 6.85 | 11.9 | Ω |
| Resonance Frequency | f_s 71 | 73.8 | Hz | |
| Mechanical Q Factor | Q_{MS} 10.4 | 9.87 | | |
| Total Q Factor | Q_{TS} 0.75 | 0.95 | | |
| Mechanical Moving Mass | M_{MS} 53.5 | 56.1 | g | |
| Mechanical Compliance | C_{MS} 94 | 82 | $\mu\text{m}/\text{N}$ | |
| Force Factor | B_{FL} 14.19 | 17.21 | Wb/m | |
| Equivalent Acoustic Volume | V_{AS} 75.8 | 66.2 | lt. | |
| Maximum Linear Displacement | X_{MAX} ± 1 | ± 1 | mm | |
| Reference Efficiency | η_0 3.6 | 2.47 | % | |
| Diaphragm Area | S_D 754.8 | 754.8 | cm^2 | |
| Losses Electrical Resistance | R_{ES} 110 | 111.8 | Ω | |
| Voice Coil Inductance @ 1kHz | L_E 0.92 | 1.28 | mH | |
| Electrical Q Factor | Q_{ES} 0.81 | 1.05 | | |

| Constructive Characteristics | |
|------------------------------|---------------------|
| Magnet | Ferrite |
| Voice Coil Winding | Copper |
| Voice Coil Former | Kapton |
| Cone Material | Paper |
| Surround Material | Integrated Paper |
| Dust Dome Material | Non-treated Cloth |
| Basket Material | Pressed Sheet Steel |
| Surround Treatment | Yes |



Frequency Response on IEC Baffle (DIN45575) @ 1W, 1 m - Free Air Impedance

