

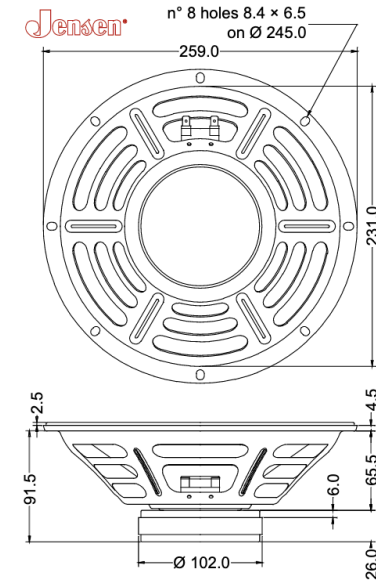
10" - 50 W Mod Series Loudspeaker
Mod 10-50 - 4Ω / 8Ω / 16Ω / 32Ω

General Characteristics			
Nominal Overall Diameter		259 mm	10 in
Nominal Voice Coil Diameter		32 mm	1.26 in
Magnet Weight		426 g	15 oz
Overall Weight		1.68 kg	3.7 lbs
Flux Density			1.1 T

Thiele-Small Parameters		4Ω	8Ω	16Ω	32Ω	
Voice Coil DC Resistance	R_E	3.08	6.2	12	24.52	Ω
Resonance Frequency	f_S	101.6	107	101	110.6	Hz
Mechanical Q Factor	Q_{MS}	16.16	16.84	18.07	16.22	
Total Q Factor	Q_{TS}	1.24	1.2	1.53	2.47	
Mechanical Moving Mass	M_{MS}	18.1	16.5	18.5	20.6	g
Mechanical Compliance	C_{MS}	135	136	134	94	μm/N
Force Factor	B_{XL}	5.16	7.28	9.31	11.18	Wb/m
Equivalent Acoustic Volume	V_{AS}	2078	20.8	20.4	14.4	lt.
Maximum Linear Displacement	X_{MAX}	±2	±1.5	±1.5	±2	mm
Reference Efficiency	η_Q	1.56	1.87	1.22	0.71	%
Diaphragm Area	S_D	330.1	330	330	330.1	cm ²
Losses Electrical Resistance	R_{ES}	37.2	81	135	136.5	Ω
Voice Coil Inductance @ 1kHz	L_E	0.39	0.62	1.08	1.6	mH
Electrical Q Factor	Q_{ES}	1.34	1.29	1.67	2.91	

Constructive Characteristics	
Magnet	Ferrite
Voice Coil Winding	Copper
Voice Coil Former	Epotex
Cone Material	Paper
Surround Material	Integrated Paper
Dust Dome Material	Non-treated Cloth
Basket Material	Pressed Sheet Steel

Electrical Characteristics		4Ω	8Ω	16Ω	32Ω	
Nominal Impedance		4	8	16	32	Ω
Rated Power		50	50	50	50	W
Musical Power		100	100	100	100	W
Sensitivity@1W,1m		95.1	95.8	94	91.9	dB



Frequency Response on IEC Baffle (DIN45575) @ 1W, 1 m - Free Air Impedance

