

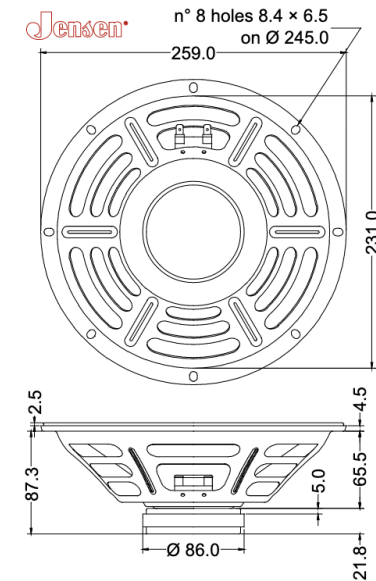
10" - 35 W Mod Series Loudspeaker
Mod 10-35 - 8Ω / 16Ω

General Characteristics			
Nominal Overall Diameter		259 mm	10 in
Nominal Voice Coil Diameter		25 mm	0.98 in
Magnet Weight		270 g	10 oz
Overall Weight		1.13 kg	2.49 lbs
Flux Density			1.1 T

Thiele-Small Parameters				
		8Ω	16Ω	
Voice Coil DC Resistance	R_E	6.7	12	Ω
Resonance Frequency	f_s	107	105	Hz
Mechanical Q Factor	Q_{MS}	18.85	16.9	
Total Q Factor	Q_{TS}	1.75	2.29	
Mechanical Moving Mass	M_{MS}	14.9	15.7	g
Mechanical Compliance	C_{MS}	150	146	μm/N
Force Factor	BxL	5.98	6.9	Wb/m
Equivalent Acoustic Volume	V_{AS}	23	22.3	lt.
Maximum Linear Displacement	X_{MAX}	±1.5	±1.5	mm
Reference Efficiency	η_D	1.39	1.94	%
Diaphragm Area	S_D	330	330	cm ²
Losses Electrical Resistance	R_{ES}	38	76.9	Ω
Voice Coil Inductance @ 1kHz	L_E	0.52	3.6	mH
Electrical Q Factor	Q_{ES}	1.93	2.65	

Constructive Characteristics			
Magnet			Ferrite
Voice Coil Winding			Copper
Voice Coil Former			Kapton
Cone Material			Paper
Surround Material			Integrated Paper
Basket Material			Pressed Sheet Steel

Electrical Characteristics				
		8Ω	16Ω	
Nominal Impedance			8	16
Rated Power			35	35
Musical Power			70	70
Sensitivity@1W,1m			94.1	93



Frequency Response on IEC Baffle (DIN45575) @ 1W, 1 m - Free Air Impedance

