

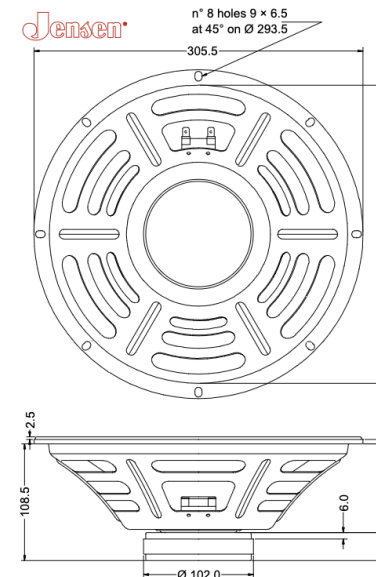
12" - 50 W Mod Series Loudspeaker
Mod 12-50 - 8Ω / 16Ω

General Characteristics			
Nominal Overall Diameter		306 mm	12 in
Nominal Voice Coil Diameter		32 mm	1.26 in
Magnet Weight		426 g	15 oz
Overall Weight		1.84 kg	4.06 lbs
Flux Density			1.1 T

Electrical Characteristics		8Ω	16Ω	
Nominal Impedance		8	16	Ω
Rated Power		50	50	W
Musical Power		100	100	W
Sensitivity@1W,1m		94.3	93.5	dB

Thiele-Small Parameters		8Ω	16Ω	
Voice Coil DC Resistance	R_E	6.3	12.5	Ω
Resonance Frequency	f_s	82	83	Hz
Mechanical Q Factor	Q_{MS}	7.5	7.72	
Total Q Factor	Q_{TS}	1.4	1.63	
Mechanical Moving Mass	M_{MS}	29.4	29.8	g
Mechanical Compliance	C_{MS}	129	125	μm/N
Force Factor	B_{XL}	7.43	9.63	Wb/m
Equivalent Acoustic Volume	V_{AS}	43.6	42.3	lt.
Maximum Linear Displacement	X_{MAX}	±1.5	±1.5	mm
Reference Efficiency	η_0	1.33	1.1	%
Diaphragm Area	S_D	490.9	490.9	cm ²
Losses Electrical Resistance	R_{ES}	28	46	Ω
Voice Coil Inductance @ 1kHz	L_E	0.66	1	mH
Electrical Q Factor	Q_{ES}	1.72	2.07	

Constructive Characteristics		
Magnet		Ferrite
Voice Coil Winding		Copper
Voice Coil Former		Epotex
Cone Material		Paper
Surround Material		Integrated Paper
Dust Dome Material		Non-treated Cloth
Basket Material		Pressed Sheet Steel



Frequency Response on IEC Baffle (DIN45575) @ 1W, 1 m - Free Air Impedance

