

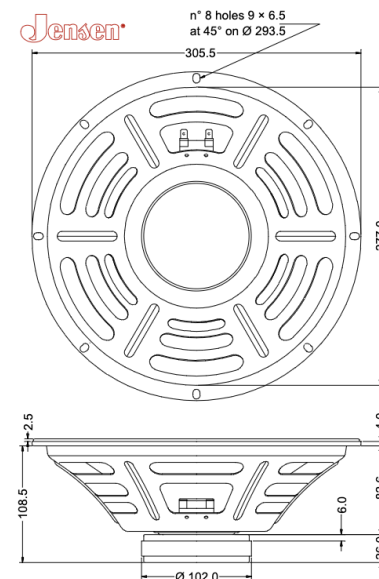
12" - 50 W Mod Series Loudspeaker  
**Mod 12-50 - 8Ω / 16Ω**

General Characteristics			
Nominal Overall Diameter	306 mm	12 in	
Nominal Voice Coil Diameter	32 mm	1.26 in	
Magnet Weight	426 g	15 oz	
Overall Weight	1.84 kg	4.06 lbs	
Flux Density		1.1 T	

Thiele-Small Parameters				
		8Ω	16Ω	
Voice Coil DC Resistance	$R_E$	6.3	12.5	Ω
Resonance Frequency	$f_s$	82	83	Hz
Mechanical Q Factor	$Q_{MS}$	7.5	7.72	
Total Q Factor	$Q_{TS}$	1.4	1.63	
Mechanical Moving Mass	$M_{MS}$	29.4	29.8	g
Mechanical Compliance	$C_{MS}$	129	125	μm/N
Force Factor	$B_{XL}$	7.43	9.63	Wb/m
Equivalent Acoustic Volume	$V_{AS}$	43.6	42.3	lt.
Maximum Linear Displacement	$X_{MAX}$	±1.5	±1.5	mm
Reference Efficiency	$\eta_0$	1.33	1.1	%
Diaphragm Area	$S_D$	490.9	490.9	cm <sup>2</sup>
Losses Electrical Resistance	$R_{ES}$	28	46	Ω
Voice Coil Inductance @ 1kHz	$L_E$	0.66	1	mH
Electrical Q Factor	$Q_{ES}$	1.72	2.07	

Constructive Characteristics	
Magnet	Ferrite
Voice Coil Winding	Copper
Voice Coil Former	Epotex
Cone Material	Paper
Surround Material	Integrated Paper
Dust Dome Material	Non-treated Cloth
Basket Material	Pressed Sheet Steel

Electrical Characteristics		8Ω	16Ω	
Nominal Impedance		8	16	Ω
Rated Power		50	50	W
Musical Power		100	100	W
Sensitivity@1W,1m		94.3	93.5	dB



Frequency Response on IEC Baffle (DIN45575) @ 1W, 1 m - Free Air Impedance

