

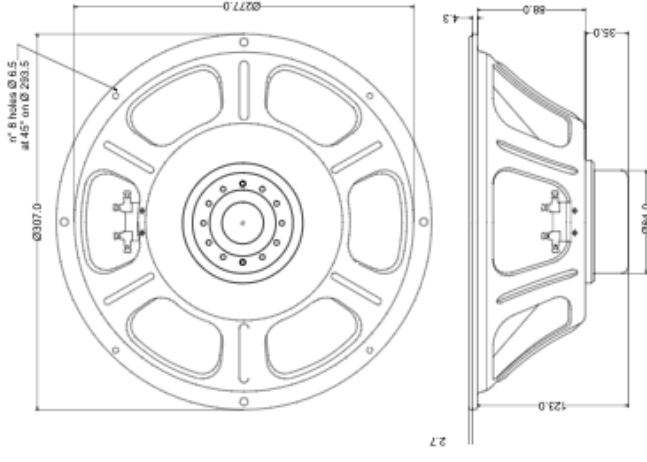
**12" - 100 W Vintage Neo Loudspeaker**  
**N12K - 8Ω / 16Ω**

General Characteristics	
Nominal Overall Diameter	12 in
Nominal Voice Coil Diameter	307 mm
Magnet Weight	2 in
Overall Weight	160 g
Flux Density	4.41 lbs
Voice Coil Winding Depth	1.2 T
Magnetic Gap Depth	10 mm
	0.39 in
	8 mm
	0.31 in

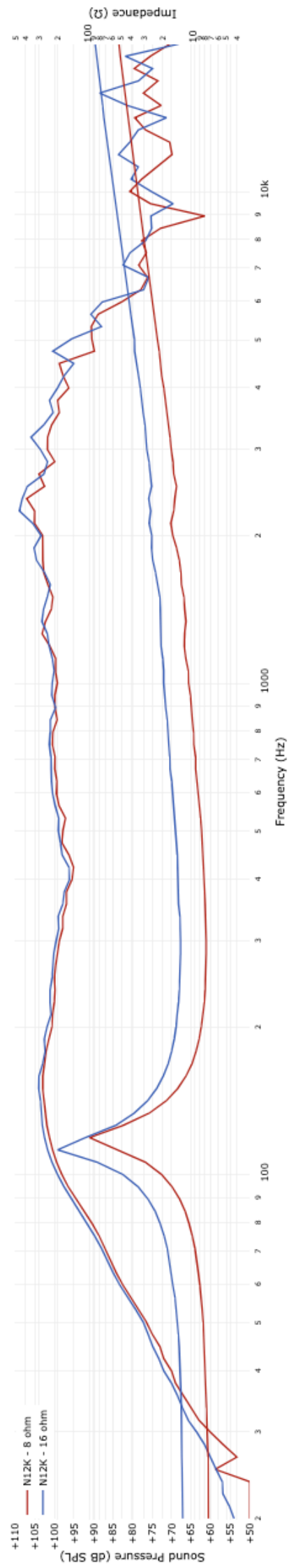
Electrical Characteristics		
Nominal Impedance	8Ω	16Ω
Rated Power	8	16
Musical Power	100	100
Sensitivity@1W,1m	200	200
	97.2	97.6
		dB

Thiele-Small Parameters		
Voice Coil DC Resistance	8Ω	16Ω
Resonance Frequency	6.7	12.1
Mechanical Q Factor	116	118
Total Q Factor	16.26	20.19
Mechanical Moving Mass	1.04	1.1
Mechanical Compliance	33	32.5
Force Factor	57	56
Equivalent Acoustic Volume	12.05	15.81
Diaphragm Area	19.5	19.2
Voice Coil Inductance @ 1kHz	490.9	490.9
Electrical Q Factor	0.7	1.32
	1.11	1.16

Constructive Characteristics	
Magnet	Neodymium
Voice Coil Winding	Copper
Cone Material	Paper
Surround Material	Integrated Paper
Dust Dome Material	Non-treated Cloth
Basket Material	Pressed Sheet Steel
Surround Treatment	Yes



Frequency Response on IEC Baffle (DIN45575) @ 1W, 1 m - Free Air Impedance



Note: all dimensions are in mm.