

Jensen Neo Series - NEO10-100

10" - 200W Neodymium Guitar Loudspeaker

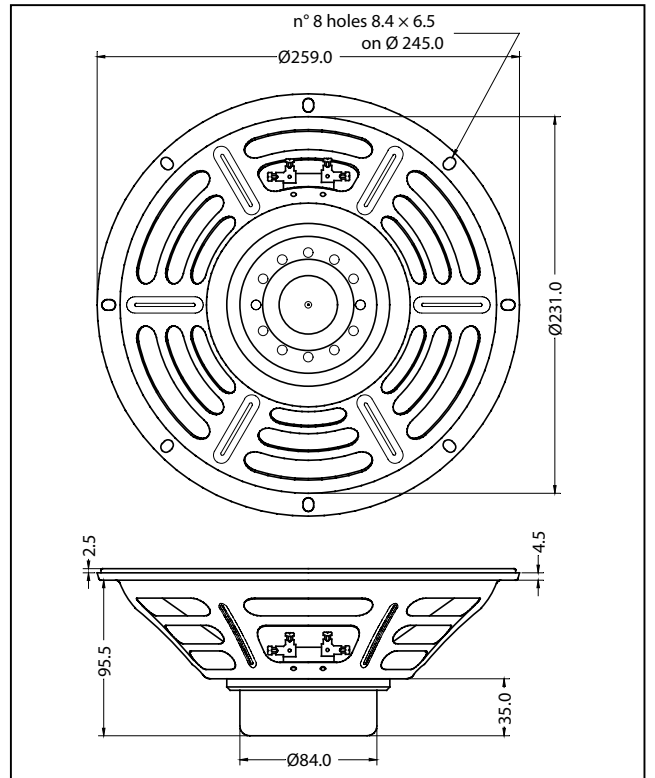
N 10/100 TR - 8 Ω
Code ZJ05360

GENERAL CHARACTERISTICS		
Nominal Overall Diameter	259	mm
Nominal Voice Coil Diameter	50	mm
Magnet Weight	200	g
Flux Density.....	1.20	T
Weight.....	1.75	Kg

THIELE-SMALL PARAMETERS		
Voice Coil DC Resistance	R_E	6.48 Ω
Resonance Frequency	f_s	82.4 Hz
Mechanical Q Factor.....	Q_{MS}	7.90
Electrical Q Factor.....	Q_{ES}	0.50
Total Q Factor	Q_{TS}	0.47
Mechanical Moving Mass	M_{MS}	20.8 g
Mechanical Compliance	C_{MS}	179 μm/N
Force Factor	$B \times l$	11.77 Wb/m
Equivalent Acoustic Volume.....	V_{AS}	27.6 lt.
Maximum Linear Displacement	X_{MAX}	+/-1.0 mm
Reference Efficiency	η_0	2.94 %
Diaphragm Area	S_D	330.1 cm ²
Losses Electrical Resistance.....	R_{ES}	101.4 Ω
Voice Coil Inductance @ 1kHz	L_E	0.70 mH

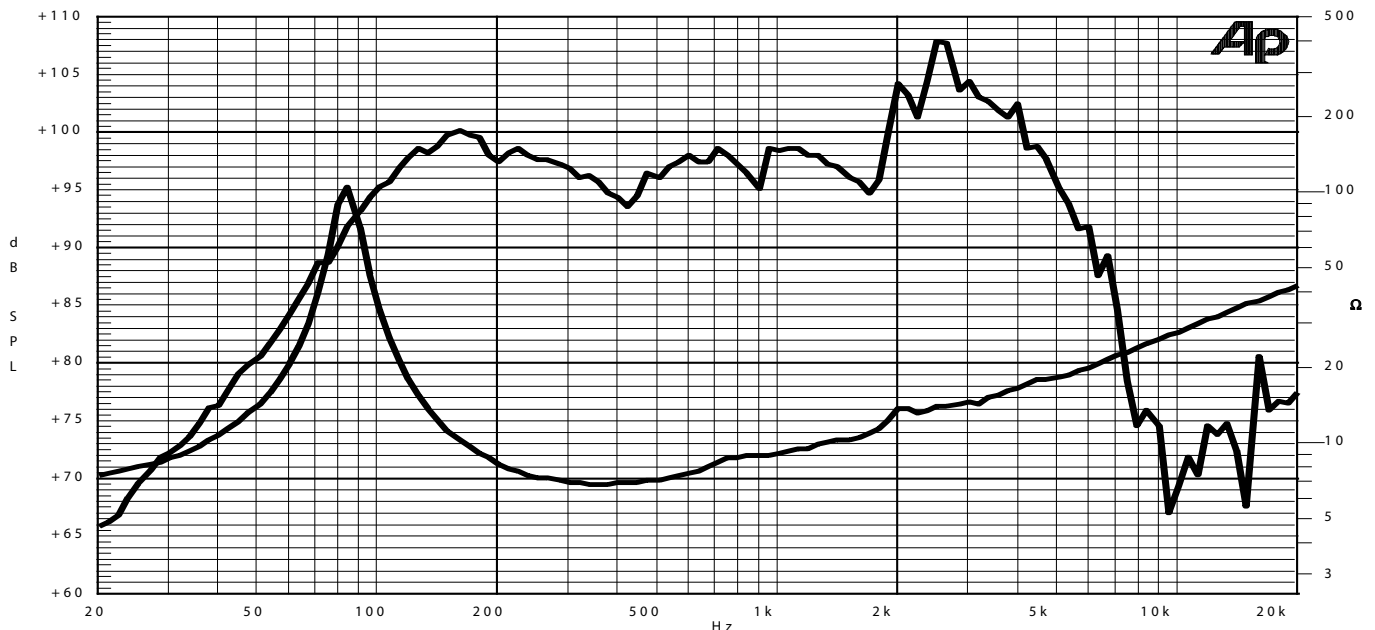
CONSTRUCTIVE CHARACTERISTICS	
Magnet.....	Neodymium
Voice Coil Winding.....	Aluminium
Voice Coil Former.....	Kapton
Cone	Paper
Surround.....	Paper - Integrated
Dust Dome	Non Treated Cloth
Basket	Pressed Sheet Steel

ELECTRICAL CHARACTERISTICS	
Nominal Impedance.....	8 Ω
Musical Power	200 W
Rated Power*	100 W
Sensitivity @ 1 W, 1 m	97.8 dB



*rated power measured with 2 hours test with pink noise signal, 6 dB crest factor, loudspeaker mounted on enclosure
Thiele-Small parameters measured with I ΔSFR system

Frequency Response on IEC Baffle (DIN 45575) @ 1 W, 1 m - Free Air Impedance



Due to continuing product improvement, the features and the design are subject to change without notice.

18/05/09