

Jensen Neo Series - NEO12-100

12" - 200W Neodymium Guitar Loudspeaker

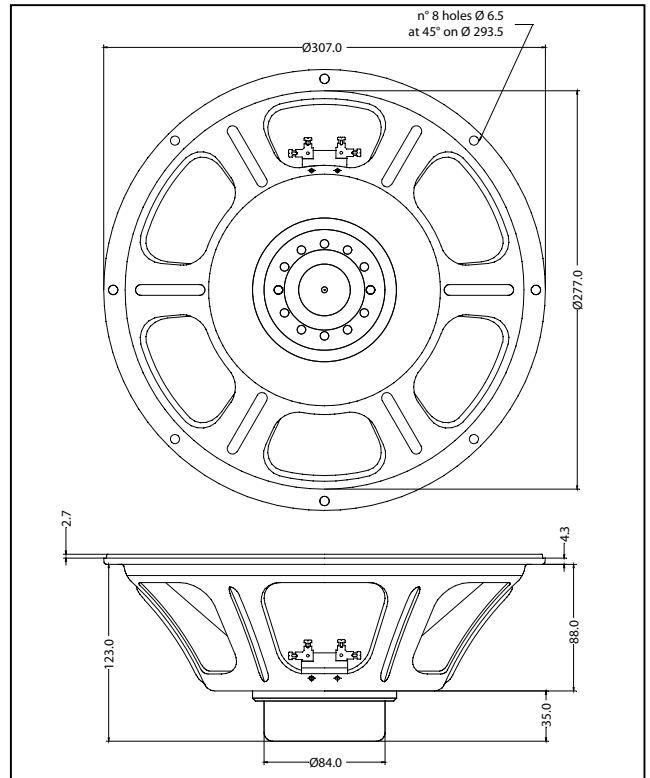
N 12/100 TR - 8 Ω
Code ZJ06355

GENERAL CHARACTERISTICS		
Nominal Overall Diameter	307	mm
Nominal Voice Coil Diameter	50	mm
Magnet Weight	200	g
Flux Density.....	1.20	T
Weight.....	2.00	Kg

THIELE-SMALL PARAMETERS		
Voice Coil DC Resistance	R_E	6.94 Ω
Resonance Frequency	f_s	72.4 Hz
Mechanical Q Factor.....	Q_{MS}	13.60
Electrical Q Factor.....	Q_{ES}	0.63
Total Q Factor	Q_{TS}	0.60
Mechanical Moving Mass	M_{MS}	33.8 g
Mechanical Compliance	C_{MS}	143 μm/N
Force Factor	$B \times l$	13.00 Wb/m
Equivalent Acoustic Volume.....	V_{AS}	48.7 lt.
Maximum Linear Displacement	X_{MAX}	+/-1.0 mm
Reference Efficiency	η_0	2.82 %
Diaphragm Area	S_D	490.9 cm ²
Losses Electrical Resistance.....	R_{ES}	148.9 Ω
Voice Coil Inductance @ 1kHz	L_E	0.7 mH

CONSTRUCTIVE CHARACTERISTICS	
Magnet.....	Neodymium
Voice Coil Winding.....	Copper
Voice Coil Former.....	Nomex
Cone	Paper
Surround.....	Paper - Integrated
Dust Dome	Non Treated Cloth
Basket	Pressed Sheet Steel

ELECTRICAL CHARACTERISTICS	
Nominal Impedance.....	8 Ω
Musical Power	200 W
Rated Power*	100 W
Sensitivity @ 1 W, 1 m	97.3 dB



*rated power measured with 2 hours test with pink noise signal, 6 dB crest factor, loudspeaker mounted on enclosure
Thiele-Small parameters measured with I ASFR system

Frequency Response on IEC Baffle (DIN 45575) @ 1 W, 1 m - Free Air Impedance

