

Jensen Neo Series - NEO15-300

15"- 600W Neodymium Guitar Loudspeaker

N 15/300 - 8 Ω
Code ZJ07210

GENERAL CHARACTERISTICS

Nominal Overall Diameter	385	mm
Nominal Voice Coil Diameter	75	mm
Magnet Weight	360	g
Flux Density.....	1.20	T
Weight.....	4.00	Kg

THIELE-SMALL PARAMETERS

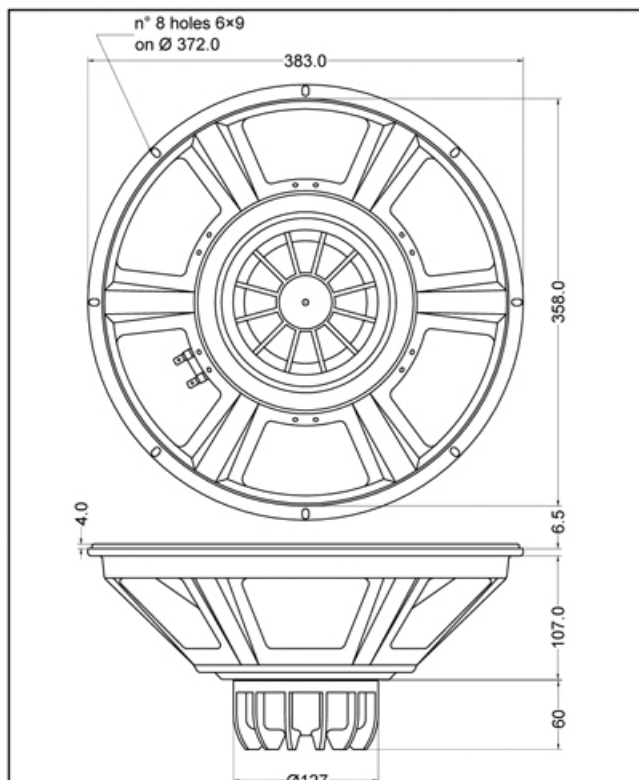
Voice Coil DC Resistance	R_E	6.57	Ω
Resonance Frequency	f_s	42.8	Hz
Mechanical Q Factor.....	Q_{MS}	11.43	
Electrical Q Factor.....	Q_{ES}	0.35	
Total Q Factor.....	Q_{TS}	0.34	
Mechanical Moving Mass	M_{MS}	57.2	g
Mechanical Compliance.....	C_{MS}	243	μm/N
Force Factor	$B \times l$	17.07	Wb/m
Equivalent Acoustic Volume.....	V_{AS}	194.3	lt.
Maximum Linear Displacement ...	X_{MAX}	+/-2.5	mm
Reference Efficiency	η_0	4.22	%
Diaphragm Area	S_D	754.7	cm ²
Losses Electrical Resistance.....	R_{ES}	216.8	Ω
Voice Coil Inductance @ 1kHz	L_E	1.22	mH

CONSTRUCTIVE CHARACTERISTICS

Magnet.....	Neodymium
Voice Coil Winding.....	Copper
Voice Coil Former.....	Kapton
Cone	Paper
Surround.....	Treated Cloth
Dust Dome	Solid Paper
Basket	Pressed Sheet Steel

ELECTRICAL CHARACTERISTICS

Nominal Impedance.....	8	Ω
Musical Power	600	W
Rated Power*	300	W
Sensitivity @ 1 W, 1 m	99.1	dB



*rated power measured with 2 hours test with pink noise signal, 6 dB crest factor, loudspeaker mounted on enclosure

Frequency Response on IEC Baffle (DIN 45575) @ 1 W, 1 m - Impedance

