

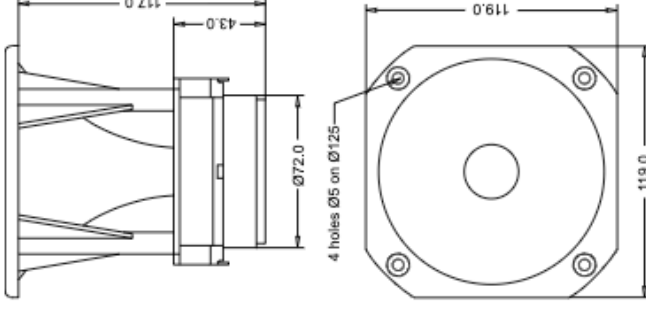
General Characteristics	
Nominal Voice Coil Diameter	25 mm
Magnet Weight	245 g
Overall Weight	0.6 kg
Flux Density	1.56 T
Nominal Dimensions	119x119 mm
Voice Coil Winding Depth	1.7 mm
Magnetic Gap Depth	2.0 mm

Thiele-Small Parameters	
Voice Coil DC Resistance	R_E 6.3 Ω
Resonance Frequency	f_s 1600 Hz
Recommended Crossover Frequency	2.5 kHz

Constructive Characteristics	
Magnet	Ferrite
Voice Coil Winding	Copper
Voice Coil Former	Kapton
Diaphragm Material	Tri-acetate film
Ferrofluid in Air Gap	No
Horn Material	Nylon Fiberglass Doped

Electrical Characteristics	
Nominal Impedance	8Ω
Rated Power	8 W
Musical Power	16 W
Sensitivity@1W,1m	32 W
	105.8 dB

Jensen



Frequency Response on Free Air with horn @ 1W, 1m - Impedance (without horn)

