

**LOWS:** Tight/Fat  
**MIDS:** Firm  
**HIGHS:** Smooth  
**OVERDRIVE:** Crunchy

### Sound Features:

### Guitarist Description:

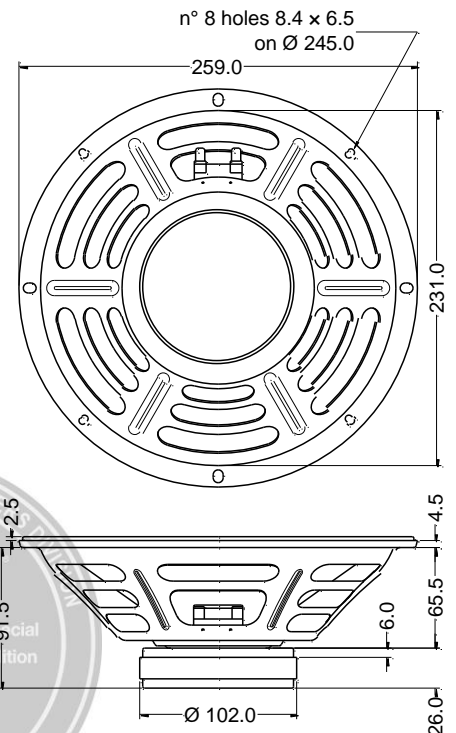
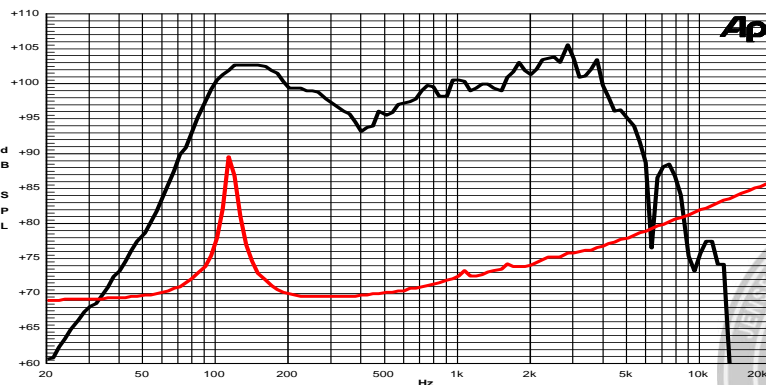
Warm, straightforward tone with a pronounced low-end.

When presented with overdrive distortion, it has some mean fuzz.

Specifications	
Nominal Diameter	259 mm (10")
Nominal Impedance	8 Ω
Rated Power AES <sup>(1)</sup>	40 W
Continuous Program Power <sup>(2)</sup>	80 W
Sensitivity @ 1W/1m	95.0 dB
Voice Coil Diameter	32 mm
Voice Coil Winding Depth	9 mm
Magnetic Gap Depth	6 mm
Flux Density	1.10 T
Magnet Weight	426 g
Net Weight	1.6 kg

Thiele & Small Parameters <sup>(3)</sup>			
Re	6.16 Ω	Fs	114.4 Hz
Qms	15.37	Mms	18.2 g
Qts	1.15	Bxl	7.09 Tm
Cms	106 μm/N	Sd	330.1 cm <sup>2</sup>
Vas	16.4 l	Le (1kHz)	0.69 mH

Constructive Characteristics	
Magnet	Ferrite
Basket Material	Pressed Sheet Steel
Voice Coil Winding Material	Copper
Voice Coil Former Material	Epotex
Cone Material	Paper
Surround Treatment	Yes
Surround Material	Paper - Integrated
Dust Dome Material	Non Treated Cloth



- Note:
- 1: Rated Power measured with 2 hours test with pink noise signal, 6dB crest factor, loudspeaker mounted on enclosure
  - 2: Power on Continuous Program is defined as 3 dB greater than the Rated Power
  - 3: Thiele & Small parameters measured with laser system without preconditioning test
  - 4: Drawing dimensions: mm
  - 5: The notch around 400Hz on the frequency response is typical of the measurement on IEC baffle