

LOWS: Tight
MIDS: Aggressive
HIGHS: Subtle
OVERDRIVE: Edgy/Crunchy

Sound Features:

Guitarist Description:

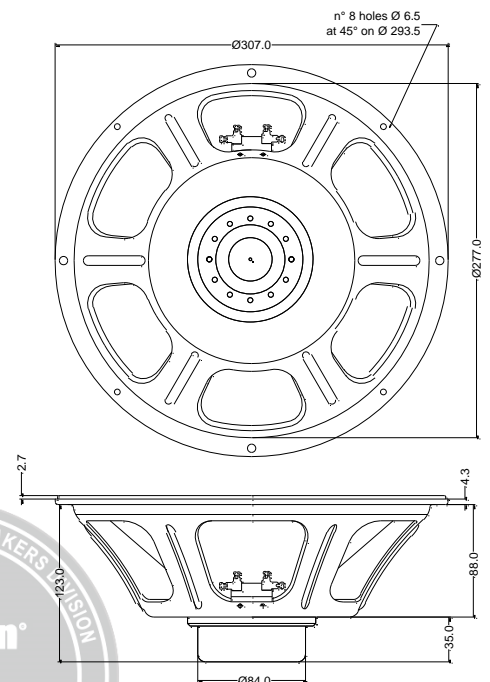
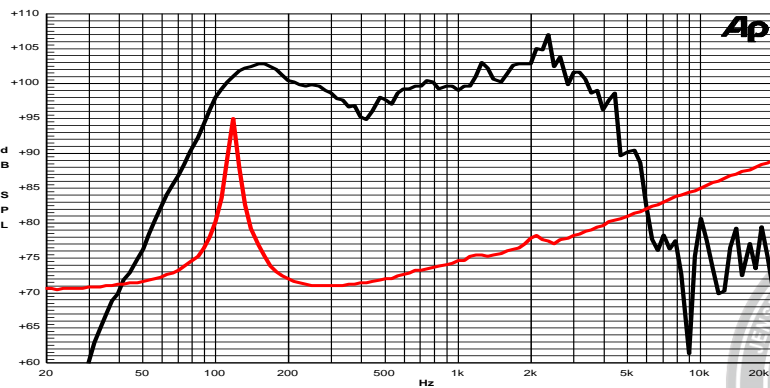
The N12K was developed in conjunction with Fender® as the speaker for the new Tone Master™ Deluxe Reverb® and Twin Reverb®. It delivers the closest sound, character and dynamic feel to the classic Jensen C12K, with half the weight, thanks to the exclusive Jensen Neodymium magnet design. The N12K delivers a warm, full bodied tone, with remarkable headroom and just the right amount of brilliance and sparkle.



Specifications	
Nominal Diameter	307 mm (12")
Nominal Impedance	8 Ω
Rated Power AES ⁽¹⁾	100 W
Continuous Program Power ⁽²⁾	200 W
Sensitivity @ 1W/1m	97.2 dB
Voice Coil Diameter	50 mm
Voice Coil Winding Depth	10 mm
Magnetic Gap Depth	8 mm
Flux Density	1.20 T
Magnet Weight	160 g
Net Weight	2.0 kg

Thiele & Small Parameters ⁽³⁾			
Re	6.70 Ω	Fs	116.0 Hz
Qms	16.26	Mms	33.0 g
Qts	1.04	Bxl	12.05 Tm
Cms	57 μm/N	Sd	490.9 cm ²
Vas	19.5 l	Le (1kHz)	0.70 mH

Constructive Characteristics	
Magnet	Neodymium
Basket Material	Pressed Sheet Steel
Voice Coil Winding Material	Copper
Voice Coil Former Material	Kapton
Cone Material	Paper
Surround Treatment	Yes
Surround Material	Paper - Integrated
Dust Dome Material	Non Treated Cloth



- Note:
- 1: Rated Power measured with 2 hours test with pink noise signal, 6dB crest factor, loudspeaker mounted on enclosure
 - 2: Power on Continuous Program is defined as 3 dB greater than the Rated Power
 - 3: Thiele & Small parameters measured with laser system without preconditioning test
 - 4: Drawing dimensions: mm
 - 5: The notch around 400Hz on the frequency response is typical of the measurement on IEC baffle

