

Jensen®

loudspeakers

Nighthawk Ceramic

C 12/75 NH 8Ω
Code ZJ06390
12" 75W

LOWS:
Fat

MIDS:
Firm

HIGHS:
Smooth

OVERDRIVE:
Smooth

Sound Features:

Guitarist Description:

Warm, smooth and open with strong, throaty note definition complemented by crisp, clear highs.

Specifications

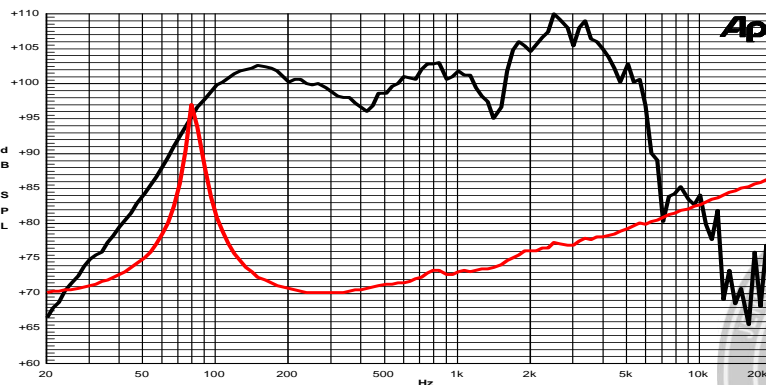
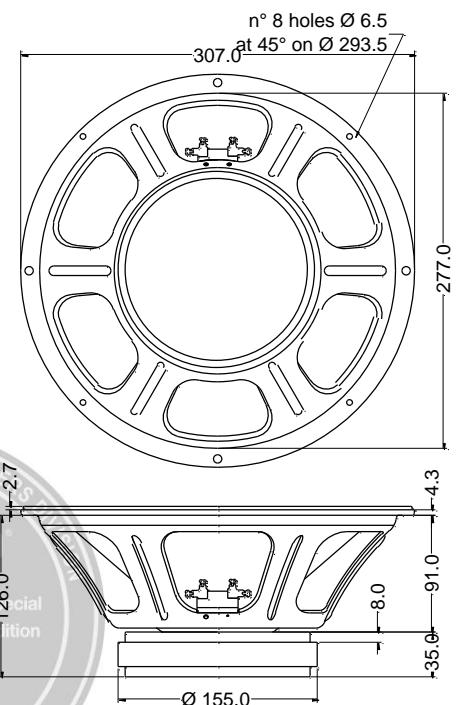
Nominal Diameter	307 mm (12")
Nominal Impedance	8 Ω
Rated Power AES ⁽¹⁾	75 W
Continuous Program Power ⁽²⁾	150 W
Sensitivity @ 1W/1m	98.8 dB
Voice Coil Diameter	44 mm
Voice Coil Winding Depth	10 mm
Magnetic Gap Depth	8 mm
Flux Density	1.29 T
Magnet Weight	1450 g
Net Weight	4.3 kg

Thiele & Small Parameters⁽³⁾

Re	6.06 Ω	Fs	83.0 Hz
Qms	13.20	Mms	29.7 g
Qts	0.64	Bxl	11.79 Tm
Cms	124 μm/N	Sd	490.9 cm ²
Vas	42.4 l	Le (1kHz)	0.62 mH

Constructive Characteristics

Magnet	Ferrite
Basket Material	Pressed Sheet Steel
Voice Coil Winding Material	Aluminium
Voice Coil Former Material	Fiberglass
Cone Material	Paper
Surround Treatment	Yes
Surround Material	Paper - Integrated
Dust Dome Material	Non Treated Cloth



Note:

- 1: Rated Power measured with 2 hours test with pink noise signal, 6dB crest factor, loudspeaker mounted on enclosure
- 2: Power on Continuous Program is defined as 3 dB greater than the Rated Power
- 3: Thiele & Small parameters measured with laser system without preconditioning test
- 4: Drawing dimensions: mm
- 5: The notch around 400Hz on the frequency response is typical of the measurement on IEC baffle

30/01/15