

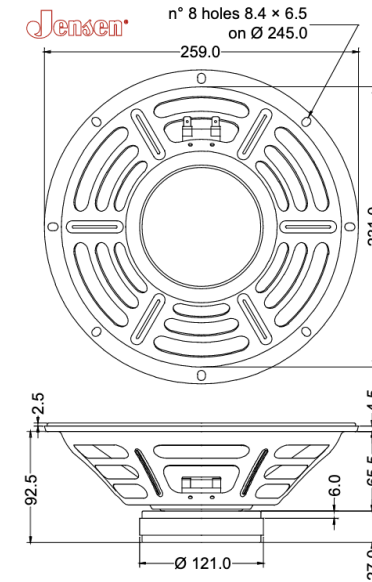
10" - 70 W Mod Series Loudspeaker  
**Mod 10-70 - 8Ω**

General Characteristics			
Nominal Overall Diameter	259 mm	10 in	
Nominal Voice Coil Diameter	38 mm	1.5 in	
Magnet Weight	640 g	23 oz	
Overall Weight	2.52 kg	5.56 lbs	
Flux Density		1.16 T	

Thiele-Small Parameters			
8Ω			
Voice Coil DC Resistance	$R_E$	5	Ω
Resonance Frequency	$f_S$	99	Hz
Mechanical Q Factor	$Q_{MS}$	16.28	
Total Q Factor	$Q_{TS}$	0.69	
Mechanical Moving Mass	$M_{MS}$	19.8	g
Mechanical Compliance	$C_{MS}$	129	μm/N
Force Factor	$B_{xL}$	9.25	Wb/m
Equivalent Acoustic Volume	$V_{AS}$	19.8	lt.
Maximum Linear Displacement	$X_{MAX}$	±1.5	mm
Reference Efficiency	$\eta_0$	2.58	%
Diaphragm Area	$S_D$	330	cm <sup>2</sup>
Losses Electrical Resistance	$R_{ES}$	112	Ω
Voice Coil Inductance @ 1kHz	$L_E$	0.52	mH
Electrical Q Factor	$Q_{ES}$	0.72	

Constructive Characteristics	
Magnet	Ferrite
Voice Coil Winding	Copper
Voice Coil Former	Epotex
Cone Material	Paper
Surround Material	Integrated Paper
Dust Dome Material	Non-treated Cloth
Basket Material	Pressed Sheet Steel

Electrical Characteristics			
Nominal Impedance		8Ω	
Rated Power		70	W
Musical Power		140	W
Sensitivity@1W,1m		98.2	dB



Frequency Response on IEC Baffle (DIN45575) @ 1W, 1 m - Free Air Impedance

