

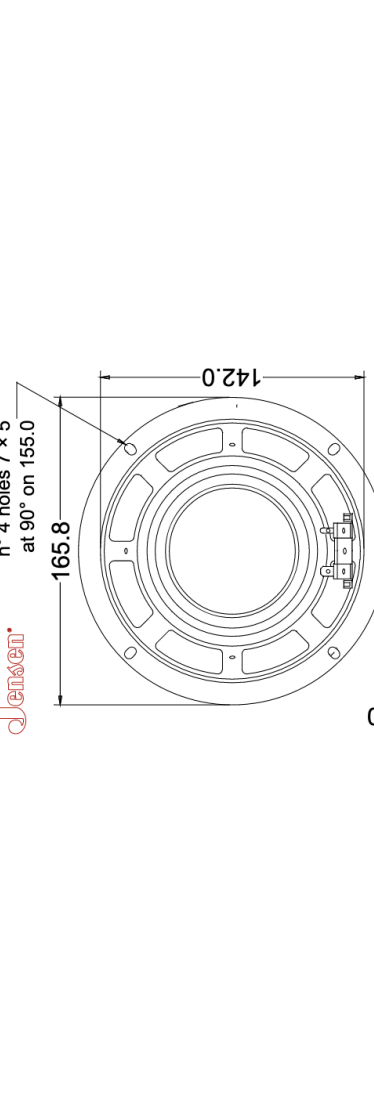


6" - 15 W Mod Series Loudspeaker  
Mod 6-15 - 4Ω / 8Ω

General Characteristics	
Nominal Overall Diameter	6 in
Nominal Voice Coil Diameter	165 mm
Magnet Weight	0.79 in
Overall Weight	20 mm
Flux Density	160 g
	1.32 lbs
	1.1 T

Electrical Characteristics		
Nominal Impedance	4Ω	8Ω
Rated Power	4	8
Musical Power	15	15
Sensitivity@1W,1m	30	30
	90.9	89.9
		dB

Thiele-Small Parameters	
Voice Coil DC Resistance	8Ω
Resonance Frequency	3
Mechanical Q Factor	91
Total Q Factor	8.06
Mechanical Moving Mass	1.23
Mechanical Compliance	5.5
Force Factor	552
Equivalent Acoustic Volume	4.19
Maximum Linear Displacement	11.7
Reference Efficiency	±0.5
Diaphragm Area	0.61
Losses Electrical Resistance	122.7
Voice Coil Inductance @ 1kHz	18
Electrical Q Factor	0.16
	0.43
	1.44



Constructive Characteristics	
Magnet	Ferrite
Voice Coil Winding	Copper
Voice Coil Former	Epoxtex
Cone Material	Paper
Surround Material	Foam
Dust Dome Material	Solid Paper
Basket Material	Pressed Sheet Steel

Frequency Response on IEC Baffle (DIN45575) @ 1W, 1 m - Free Air Impedance

